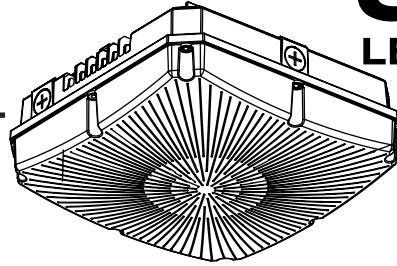


# SPG™ Series

## LED Square Canopy

Includes: SPG-S-40UX/CT, SPG-L-70UX/CT

**aleo™**  
LED LIGHTING



## INSTALLATION INSTRUCTIONS

### READ AND FOLLOW ALL SAFETY INSTRUCTIONS

#### WARNING

**FAILURE TO FOLLOW THESE INSTRUCTIONS AND WARNINGS MAY RESULT IN SERIOUS INJURY OR DAMAGE TO PROPERTY**

For your safety, thoroughly read these instructions and warnings in its entirety prior to installing or servicing this product. These instructions do not attempt to cover all installation and maintenance circumstances. If you do not understand these instructions or if additional information is needed, please contact Aleo Lighting customer service.

#### WARNING

##### RISK OF FIRE OR ELECTRIC SHOCK

This product must be installed and serviced by a professional electrician in accordance with applicable federal, state, and local laws, regulations, and electrical code. If not qualified, do not attempt installation of this product. Contact a qualified electrician.

Install this kit only in the luminaire that has the construction features and dimensions shown in the photographs and/or drawings and where the input rating of the retrofit kit does not exceed the input rating of the luminaire.

#### WARNING

##### RISK OF FIRE, ELECTRIC SHOCK, or PERSONAL INJURY

To avoid risk of electrical shock, turn off power before inspection, installing or servicing.

Verify that supply voltage is correct by comparing with the input voltage on the luminaire label

Make all electrical and ground connections in accordance with NEC and any applicable code requirements

#### WARNING

##### RISK OF PERSONAL INJURY

To prevent wiring damage or abrasion, do not expose wiring to edges of sheet metal or other sharp objects

Do not make or alter any open holes in any of the enclosures with wiring or electrical components during installation

### SAVE THESE INSTRUCTIONS FOR FUTURE REFERENCE

Suitable for Wet Location

#### WARNING

This luminaire is made for permanent installation in ordinary (non-hazardous) locations in accordance with NEC code and all applicable local and federal codes. Do not use in applications with limited ventilation or high ambient temperature enclosures.

### TURN OFF POWER BEFORE INSTALLING

#### Electrical Connection

1. Connect BLACK (line) driver lead to voltage supply Line position (HOT).
2. Connect driver WHITE lead to the NEUTRAL supply position.
3. Connect the GREEN ground lead to the supply ground lead.

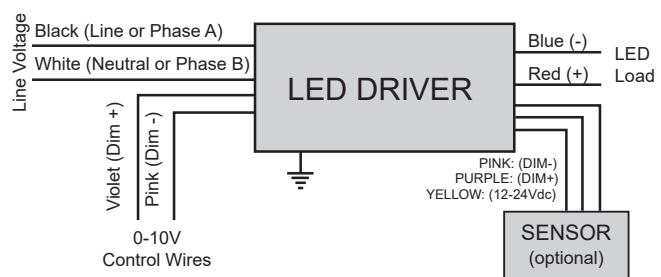
#### If using 0-10V dimming:

4. Connect VIOLET lead to supply POSITIVE dimming lead.
5. Connect PINK lead to the supply NEGATIVE dimming lead.

#### If NOT using 0-10V dimming:

6. Ensure VIOLET and PINK 0-10V dimming leads are properly capped.

#### Wiring Diagram

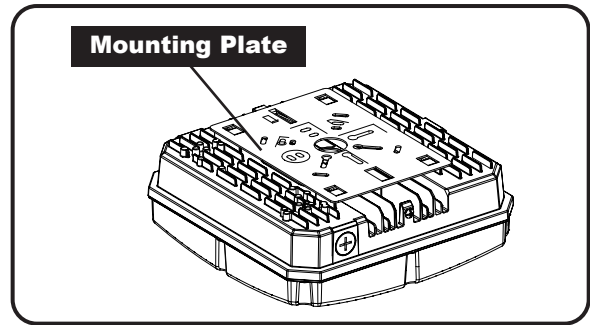


# SPG™ Series LED Square Canopy

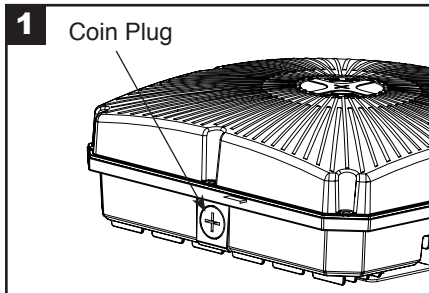
## TO INSTALL:

Install fixture in well-ventilated environment, keep away from corrosive/explosive materials, flammable gas or electric dust. Make sure structure is adequate to support the weight of the fixture.

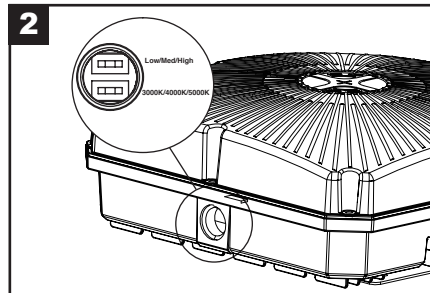
User should prepare necessary accessories and spare parts (not provided) including junction box, fasteners, junction box gasket, anchors, silicone caulk, etc.



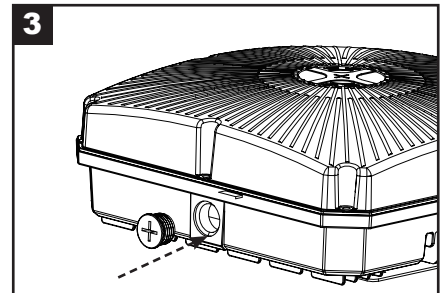
### Field-Adjustable Wattage & CCT



Use a large screwdriver to remove the Coin Plug.

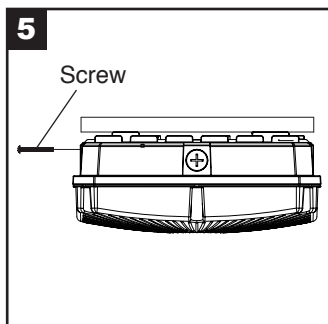
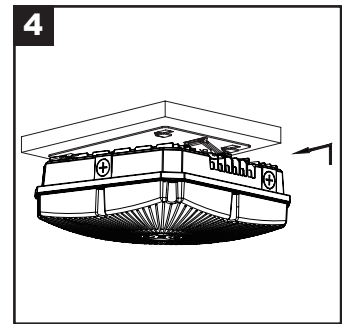
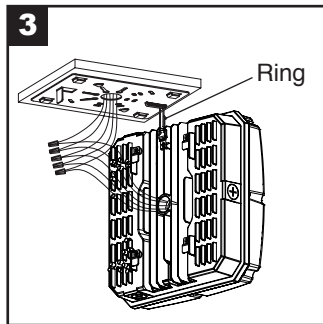
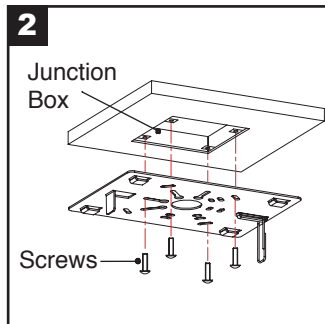
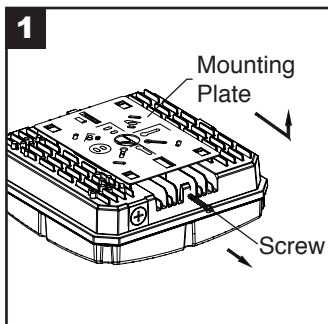


Move the switches to select the desired CCT and wattage.



Use a screwdriver to re-attach the Coin Plug.

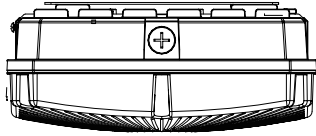
### Surface Mount with Junction Box



1. Loosen the screw holding the mounting plate to the fixture, remove mounting plate by sliding the ring on the mounting plate from the clip fixed to the fixture.
2. Use screws to lock the mounting plate on the junction box (supplied by others). **INSTALLER IS RESPONSIBLE FOR ENSURING PROPER FIXTURE ATTACHMENT AND WATERPROOFING, INCLUDING SEALING TO THE JUNCTION BOX OR SURFACE**
3. Latch the ring from the mounting plate to the clip on the fixture, and let the fixture hang. Wire AC main leads to fixture input leads. Make all electrical connections to the fixture. **SEE PAGE 1 for Electrical Connection and wiring diagram instructions.** Make any appropriate sealing measures to ensure the wire entry points into the fixture is waterproof.
4. Align the (4) tabs on the fixture with the (4) slots on the mounting plate and slide the fixture into place, ensuring a secure fit.
5. Secure and tighten the screw to fix the fixture to the mounting plate.

### TO INSTALL:

#### Plug and Play Sensor



- 1) Remove the sensor cover, being careful not to damage the plastic cover head.
- 2) Plug sensor jack into port and rotate sensor clockwise until sensor base reaches the bottom.

#### Stem/Pendant Mount

