

SCB™ UX Series

Slim-Profile Circular LED High Bay

DESCRIPTION

The Aleo SCB™ UX Series Slim-Profile Circular High Bay delivers industry-leading performance with a durable, heavy-duty construction. Superior performance, ultra high-efficacy and premium quality provides a robust solution for high ceiling applications, especially warehouse spaces. Delivering high output, quality light and low energy consumption can improve warehouse safety and productivity, lower maintenance cost, and reducing operating costs.



APPLICATIONS

Provides high output illumination for various commercial industrial applications with high ceilings: warehouse, manufacturing, gymnasiums, cold-storage, wash-down areas



SCB™ UX Series

30L 100W/150W/200W

Specification Features

Construction

Rugged, die-cast housing with advanced thermal management system ensures reliability and durability. Weather-proof, gasketed driver compartment protects electronics against environmental elements. IP69K, wet location.

Optical System

Diffuser lens reduces glare and improves occupant working conditions while maintaining high efficiency emission.

Certification

UL Listed. Wet location rated. ETL Sanitation Listed, conforms to NSF 2 standard

Warranty

7-year Limited Warranty. See warranty documentation for more information.

Sensor Ready

Center sensor receptacle for field installable plug and play occupancy sensor with daylight. 3.5mm audio jack sensor receptacle.

Electrical

Luminaire utilizes high-efficacy LED packages maintained at cool temperatures for long life, high efficacy. Reliable driver features continuous dimming. Universal voltage (120-277V) and High Voltage (277-480V) for convenient installation. Comes equipped standard with 10' white STOW cord.

Installation / Mounting

Single point mount for Eye Bolt.

Controls / Dimming

Continuous dimming (1-10V) comes standard. Suitable for use with dimmers, sensors, daylight harvesting and other control strategies to achieve deeper energy-savings and code compliance.

Field Adjustable CCT / Wattage

Increased versatility and reduced inventory burden. Wattage and Color Temp. can be adjusted in the field by selecting (3) different wattages and (2) different CCTs via switch inside the housing.

Rated Life 75,000 hours
 Limited Warranty 7-years
 Efficacy Up to 150 LPW
 Continuous Dimming



Ordering Information

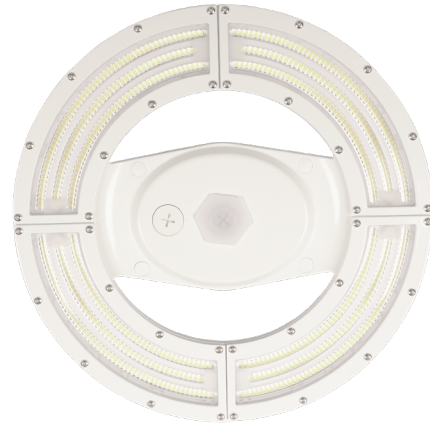
Example: SCB-30L-UX/CT-HV G4 (SR/RC)

SCB	30L	UX	CT	HV	(SR/RC)	[Blank]
Series SCB Slim Circular High Bay	Nominal Max Lumen 30L 30,000 lm (200W)	Lumen Package UX Field Adjustable Wattage	Color Temp CT Adjustable CCT 4000K/500K	Input Voltage Blank 120V-277V HV 227V-480V	Controls (SR/RC) Sensor Ready w/ (PP1) Sensor Receptacle	Dimming Blank 1-10V Continuous Dimming
Options						
Designation						
BAA Buy American Act Compliant				BABAA Build America, Buy America Act Compliant		

Specifications and Dimensions subject to change without notice.

Performance Summary

Input Voltage	120V-277V, 227V-480V
Input Frequency	50/60 Hz
Rated Wattage	See Performance Table
Delivered Lumens	See Performance Table
Efficacy	150 LPW (typ.)
CRI	80
Available CCT	4000K/5000K
Color Consistency ¹	5-step MacAdam Ellipse
Rated Life	75,000 hours
L70 ³	> 54,000 hours
Power Factor	> 0.9
THD	< 20%
Controls	Plug N Play Sensors
IP Rating	IP69K
Operating Temp.	-40°C to 45°C



Performance Data

Catalog No.	Nominal Wattage	Color Temperature	Lumens (lm)	Wattage (W)	Efficacy (lm/W)
SCB-30L-UX/CT G4 (SR/RC)	100	4000K	15,639	97.5	160.4
		5000K	15,649	97.2	161.0
	150	4000K	22,778	146.2	155.8
		5000K	22,818	145.8	156.5
	200	4000K	29,488	194.9	151.3
		5000K	29,529	194.4	151.9
SCB-30L-UX/CT-HV G4 (SR/RC)	100	4000K	16,145	99.6	162.1
		5000K	16,232	99.4	163.3
	150	4000K	23,531	149.4	157.5
		5000K	23,646	149.0	158.7
	200	4000K	30,458	199.2	152.9
		5000K	30,620	198.7	154.1

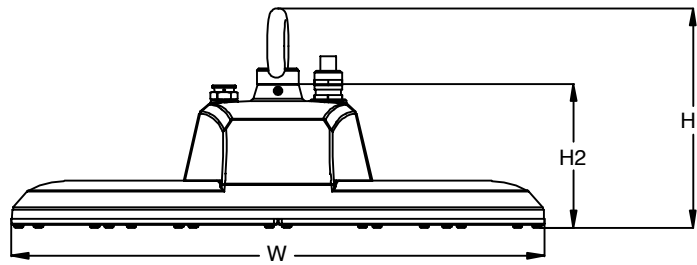
DLC QPL Data

QPL Model No.	Product ID	Technical Req.	Classification	Primary Use
SCB-30L-UX/CT G4 (SR/RC)	S-N6N75L	5.1	Premium	High-Bay Luminaires for Commercial and Industrial Buildings
SCB-30L-UX/CT-HV G4 (SR/RC)	S-QR8HYV	5.1	Premium	High-Bay Luminaires for Commercial and Industrial Buildings



Specifications and Dimensions subject to change without notice.

Product Dimensions



Product	Height (H1)	Height 2 (H2)	Width (W)
SCB-30L-UX/CT G4 (SR/RC)	6.17" (156.7mm)	4.04" (102.7mm)	14.99" (380.8mm)
SCB-30L-UX/CT-HV G4 (SR/RC)	6.17" (156.7mm)	4.04" (102.7mm)	14.99" (380.8mm)

Accessory Options

Plug and Play Sensor Order Codes: (Order Separately / Ships Separately from Fixture)

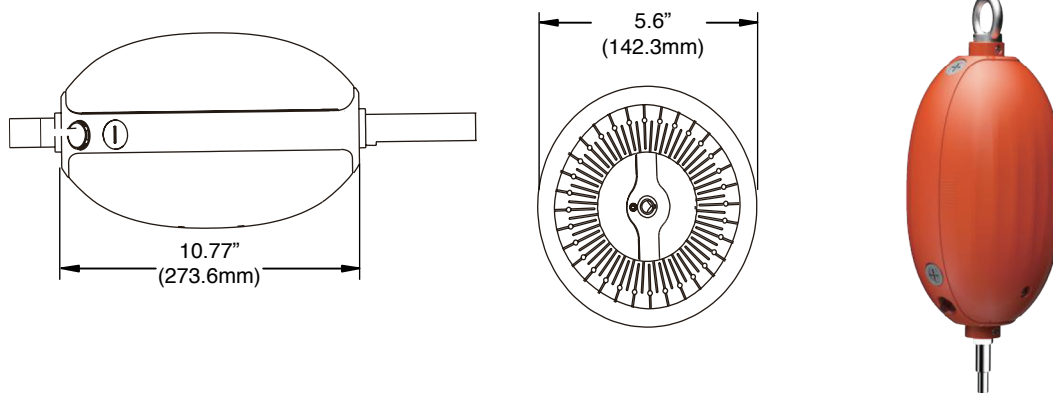


Sensor Model #	Description	Remote Control
SPIR-OSDL/BT-PP1-DC-300	AleoBlue, Wireless Bluetooth PIR Occ Sensor w/ Daylight Harvesting, 12V DC input, Plug and Play 3.5mm port, 40ft high bay lens	AleoBlue App
SPIR-OSDL/BTEZ-PP1-DC-100	SimplBlue, PIR Occ Sensor w/ Daylight Harvesting, Plug and Play 3.5mm port, comes w/ HBL1 lens	SimplBlue App
SPIR-OSDL/IR-PP1-DC-130	Multi-level Passive Infrared Occ Sensor w/ Photocell Function, Plug and Play 3.5mm port, IR remote setting, comes w/ HBL1 lens	SRC-A01
SHF-OSDL/IR-PP1-LV-10V-A01	Multi-level High Frequency Occ Sensor w/ Photocell Function, Plug and Play 3.5mm port, IR remote setting	SRC-A01

Emergency Battery Backup²

Item No.: BLD-RM40R-YY

For Field Install UFO EM LED Driver, 40W max., 120V-277V input, min. 90 min, Football style



NOTES:

¹ Typical color consistency. May vary or be changed.

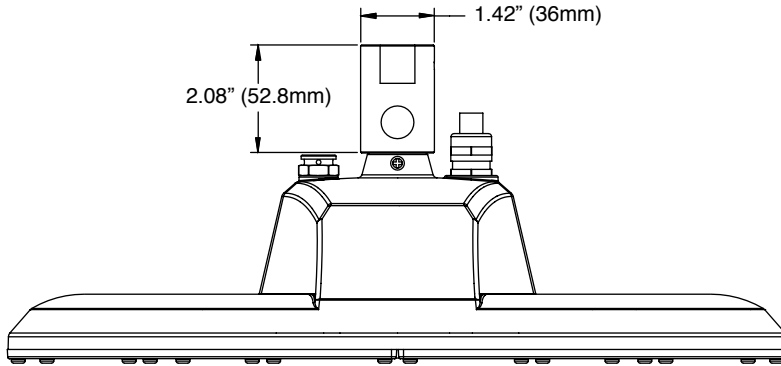
² IMPORTANT: THE BATTERY MUST BE RECHARGED EVERY THREE (3) MONTHS. IF NOT RECHARGED ACCORDINGLY, BATTERY MAY FAIL AND VOID WARRANTY

Specifications and Dimensions subject to change without notice.

Junction Box Accessory

Item No.: **SCB-ADP-3/4NPT G4** (Order Separately / Ships Separately from Fixture)

3/4" NPT adapter for SCB G4, White Finish



BAA and BABAA Compliant

**BAA - Buy America Act Compliant**

Complies and Qualifies for projects requiring Buy America Act (BAA) compliant product

BABAA - Build America, Buy America Compliant

Complies and Qualifies for projects requiring Build America, Buy America Act (BABAA) compliant product

*Note: BAA and BABAA product will require lead times approximately ranging from 12-18 weeks. Contact your Aleo representative for more information