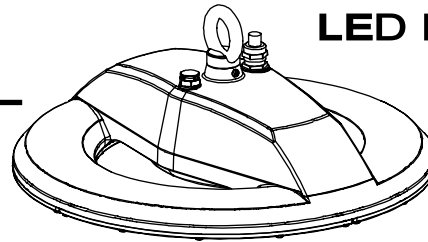


SCB™ Series

Slim-Profile Circular LED High Bay

Includes: SCB UX, SCB UX HV

aleo™
LED LIGHTING



INSTALLATION INSTRUCTIONS

READ AND FOLLOW ALL SAFETY INSTRUCTIONS

WARNING

FAILURE TO FOLLOW THESE INSTRUCTIONS AND WARNINGS MAY RESULT IN SERIOUS INJURY OR DAMAGE TO PROPERTY

For your safety, thoroughly read these instructions and warnings in its entirety prior to installing or servicing this product. These instructions do not attempt to cover all installation and maintenance circumstances. If you do not understand these instructions or if additional information is needed, please contact Aleo Lighting customer service.

WARNING

RISK OF FIRE OR ELECTRIC SHOCK

This product must be installed and serviced by a professional electrician in accordance with applicable federal, state, and local laws, regulations, and electrical code. If not qualified, do not attempt installation of this product. Contact a qualified electrician.

WARNING

RISK OF FIRE, ELECTRIC SHOCK, or PERSONAL INJURY

To avoid risk of electrical shock, turn off power before installing or servicing.

Verify that supply voltage is correct by comparing with the input voltage on the luminaire label

Make all electrical and ground connections in accordance with NEC and any applicable code requirements

WARNING

RISK OF PERSONAL INJURY

To prevent wiring damage or abrasion, do not expose wiring to edges of sheet metal or other sharp objects
Do not make or alter any open holes in any of the enclosures with wiring or electrical components during installation

SAVE THESE INSTRUCTIONS FOR FUTURE REFERENCE

Suitable for Wet Location

WARNING

This luminaire is made for permanent installation in ordinary (non-hazardous) locations in accordance with NEC code and all applicable local and federal codes. Do not use in applications with limited ventilation or high ambient temperature enclosures.

TURN OFF POWER BEFORE INSTALLING

Electrical Connection

1. Connect BLACK (line) driver lead to voltage supply Line position (HOT).
2. Connect driver WHITE lead to the NEUTRAL supply position.
3. Connect the GREEN ground lead to the supply ground lead.

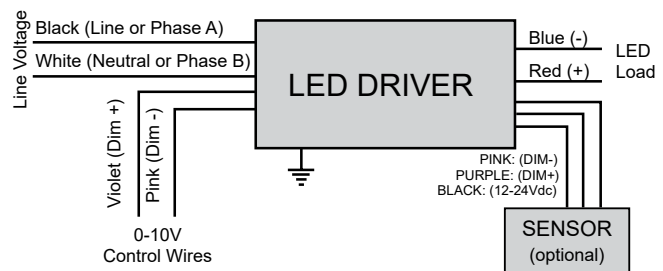
If using 0-10V dimming:

4. Connect VIOLET lead to supply POSITIVE dimming lead.
5. Connect PINK lead to the supply NEGATIVE dimming lead.

If NOT using 0-10V dimming:

6. Ensure VIOLET and PINK 0-10V dimming leads are properly capped.

Wiring Diagram

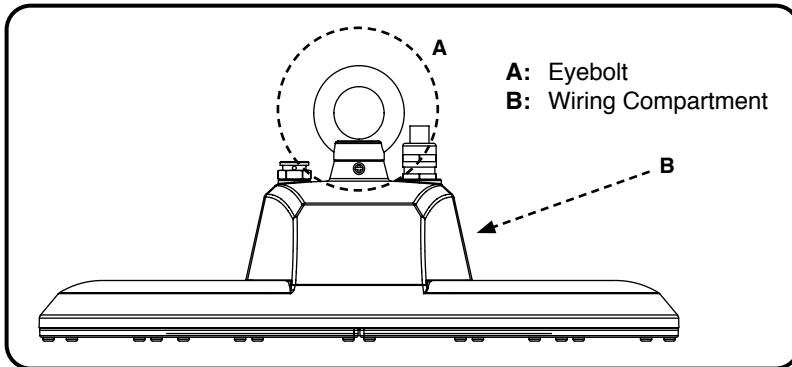


Contents to change without notice. Visit www.aleoighting.com for warranty and specification information.

TOINSTALL:

NOTE:

This product is intended to be suspended using the included eyebolt or pendant mounted on a conduit stem (supplied by others)

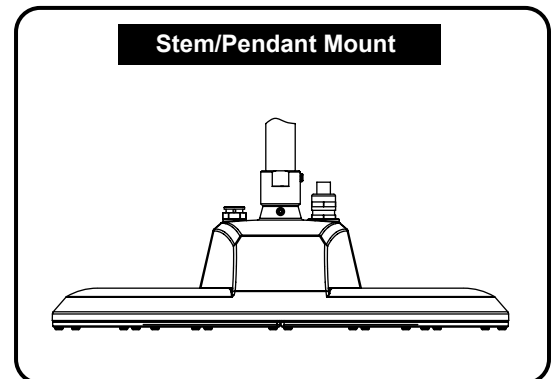


Suspended Eyebolt Mounting

1. Thread Eyebolt into hole of wiring compartment. INSTALLER IS RESPONSIBLE FOR ENSURING PROPER FIXTURE ATTACHMENT
2. Mount Housing with Eyebolt to a sturdy ceiling structure
3. Connect cord to supply wires inside a junction box using approved wire connectors. Wire AC main leads to fixture input leads. Make all electrical connections to the fixture.
SEE PAGE 1 for Electrical Connection and wiring diagram instructions.
4. Push wire connections back inside the Junction Box
5. Re-attach Wiring Compartment, ensure no wires are being pinched by the fixture's metal parts and tighten screws.

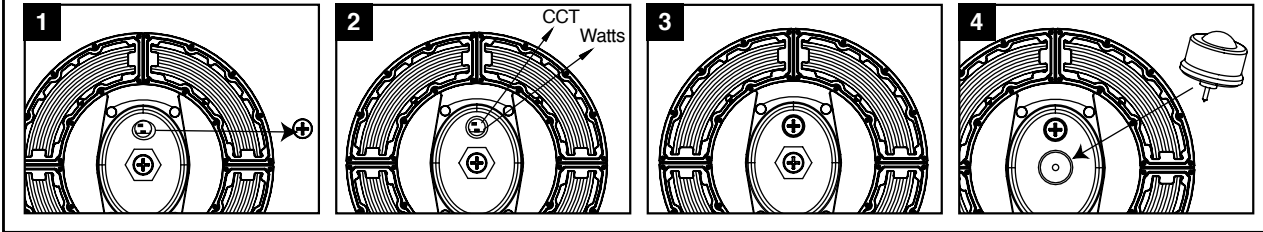
Pendant Mount

1. Install 3/4" NPT adapter (Order separately from Aleo Lighting).
2. Choose pendant length and feed cord through pendant stem. If a longer cord is needed, replace cord with appropriate length wire.
3. For wet locations, wrap threads on pendant stems with teflon tape and silicon gel. INSTALLER IS RESPONSIBLE FOR PROPER SEALING
4. Thread 3/4" NPT conduit pipe into hole of 3/4" NPT adapter. INSTALLER IS RESPONSIBLE FOR ENSURING PROPER FIXTURE ATTACHMENT
5. Connect cord to supply wires inside a junction box using approved wire connectors. Wire AC main leads to fixture input leads. Make all electrical connections to the fixture.
SEE PAGE 1 for Electrical Connection and wiring diagram instructions.
6. Push wire connections back inside the Junction Box
7. Use Chain for supplemental support of the fixture



TO INSTALL:

CCT & Lumen Select / Sensor Installation



1 To change CCT and lumen output, unscrew and remove coin plug from fixture.

2 Use the slide switch to select wattage and CCT.

3 Re-attach the coin plug. Ensure a good fit to prevent water intrusion.

4 Remove the sensor receptacle cover, and screw the sensor into the receptacle.

aleo™
LED LIGHTING

© 2024 Aleo Lighting, Inc. All rights reserved. For informational purposes only. Reproduction in whole or part is prohibited without prior written consent of the copyright owner. The information presented in this document does not form part of any quotation or contract, is believed to be accurate and reliable and may be changed without notice. No liability will be accepted by the publisher for any consequences of its use.

Aleo Lighting, Inc.
www.aleolighting.com
10988 Bloomfield Ave.
Santa Fe Springs, CA
Ph: 877-358-8825