



Project	
Notes	
Type	Date
Cat. No.	

LT-CD™ SR/RC Series

Volumetric LED Troffer Field Adjustable



DESCRIPTION

The Aleo LT-CD™ (SR/RC) Series LED Field Adjustable Troffer delivers industry-leading Versatility with deep energy savings and continuous dimming. The precision-formed diffuser produces comfortable and pleasant illumination, enhancing productive spaces in various applications.

APPLICATIONS

Provides architectural aesthetics for retail, schools, offices, healthcare, and other various commercial applications.

Specification Features



LT-CD Series	
2x4	25W / 30W / 35W
2x2	20W / 25W / 30W
1x4	20W / 25W / 30W

Construction

Simple construction with minimal parts allows for easy handling and installation. Low profile design optimizes shipping, storage, and handling. Luminaire features matte white durable finish. Integral T-Bar clips built into luminaire. Diffuser requires no additional frame or fastener for easy installation.

Optical System

Reflector systems features highly reflective coating and delivers balanced, comfortable illuminance for productive spaces. Diffuser lens reduces glare and improves occupant comfort while maintaining high efficiency emission.

Certification

UL Listed. All components have UL certification. UL Class 2. Driver: SCP, OTP, OVP protection, FCC Part 15 Class B, UL8750 Class 2.

Warranty

7-year Limited Warranty. See warranty documentation for more information.

Electrical

Luminaire utilizes high-efficacy LED packages maintained at cool temperatures for long life, high efficacy. Reliable driver features continuous dimming. Universal voltage (120-277V) for convenient installation. Comes equipped with luminaire quick-disconnect.

Field-Adjustable CCT & Wattage

Increased versatility and reduced inventory burden. Wattage and Color Temp. can be adjusted in the field by selecting (3) different wattages and (3) different CCTs via switch on driver.

Installation / Mounting

Installs in most standard T-Bar ceiling grid systems. Flange kit available for hard-lid/drywall applications

Controls / Dimming

Continuous dimming (0-10V) comes standard. Suitable for use with dimmers, sensors, daylight harvesting and other control strategies to achieve deeper energy-savings and code compliance.

Rated Life 75,000 hours
Limited Warranty 7-years
Efficacy Up to 133 LPW
Continuous Dimming



Quick Ship
 LT-CD-14-UXL-30/8CT G6 (SR/RC)
 LT-CD-22-UXL-30/8CT G6 (SR/RC)
 LT-CD-24-UXL-35/8CT G6 (SR/RC)

Ordering Information

Example: LT-CD-24-UXL-35/8CT G6 (SR/RC)

LT-CD	24	UXL	34	8	CT	[Blank]
Series LT-CD Volumetric LED Troffer - Center Diffuser	Form Factor 24 2'x4' 22 2'x2' 14 1'x4'	Lumen Package UXL Field Adjustable	Nominal Max Wattage 34 2'x4' 25W / 30W / 35W 30 2'x2' 20W / 25W / 30W 30 1'x4' 20W / 25W / 30W	CRI 8 83+	Color Temp CT Field Adjust. 3500K 4000K 5000K <small>*Utilize 3-way switch to select</small>	Input Voltage Blank 120V-277V
[Blank]	Options					
Dimming Blank 0-10V Continuous Dimming	(SR/RC) Sensor Ready with sensor receptacle	Controls See Pg. 2 for Ordering Details on sensors and controls (Sensor sold separately)	Emergency Backup¹ EM700 700lm EM1400 1400lm	Designation BAA Buy America Act Compliant BABAA Build America, Buy America Act Compliant		

Specifications and Dimensions subject to change without notice.

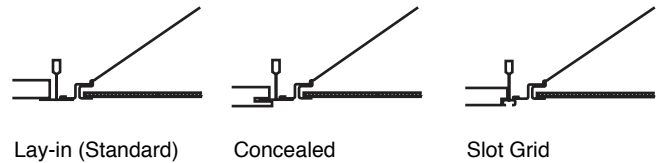
Performance Summary

Input Voltage	120V-277V
Input Frequency	50/60 Hz
Rated Wattage	See Performance Table
Delivered Lumens	See Performance Table
Efficacy	> 133 LPW (typ.)
CRI	82+, R9 > 0
Field Adjustable CCT	3500K / 4000K / 5000K
Color Consistency ²	5-step MacAdam Ellipse
Rated Life	75,000 hours
L70 ³	> 72,000 hours
Power Factor	> 0.9
THD	< 20%
Dimming	0-10V Continuous (10-100%)
Operating Temp.	-20°C to 50°C

Sensor Ready Quick Connect



Mounting Information



* Fits 9/16, 15/16 and SS T-bar grid.
Flange kit available upon request

Sensors Options



Catalog No.	Description	Ordering	Shipping	Remote Control	Sensor Mounting
SPIR-OSDL/BT-PP3-DC-310	AleoBlue Multi-level Wireless Bluetooth Occ Sensor w/ Daylight	Order and Ship Separately	Field Install	AleoBlue App	Snap-in
SPIR-OSDL/BTEZ-PP3-DC-121	SimplBlue Multi-level Wireless Bluetooth Occ Sensor w/ Daylight	Order and Ship Separately	Field Install	SimplBlue App	Snap-in

BAA and BABAA Compliant



BAA - Buy America Act Compliant

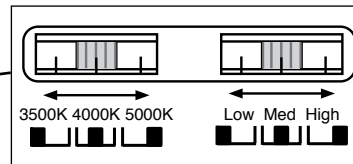
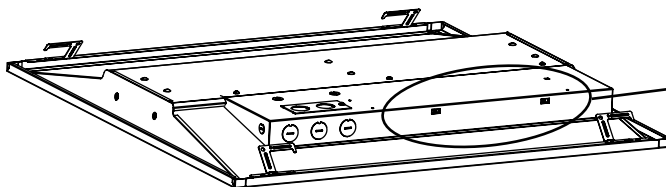
Complies and Qualifies for projects requiring Buy America Act (BAA) compliant product

BABAA - Build America, Buy America Compliant

Complies and Qualifies for projects requiring Build America, Buy America Act (BABAA) compliant product

*Note: BAA and BABAA product will require lead times approximately ranging from 12-18 weeks. Contact your Aleo representative for more information

Field-Adjustable CCT & Wattage

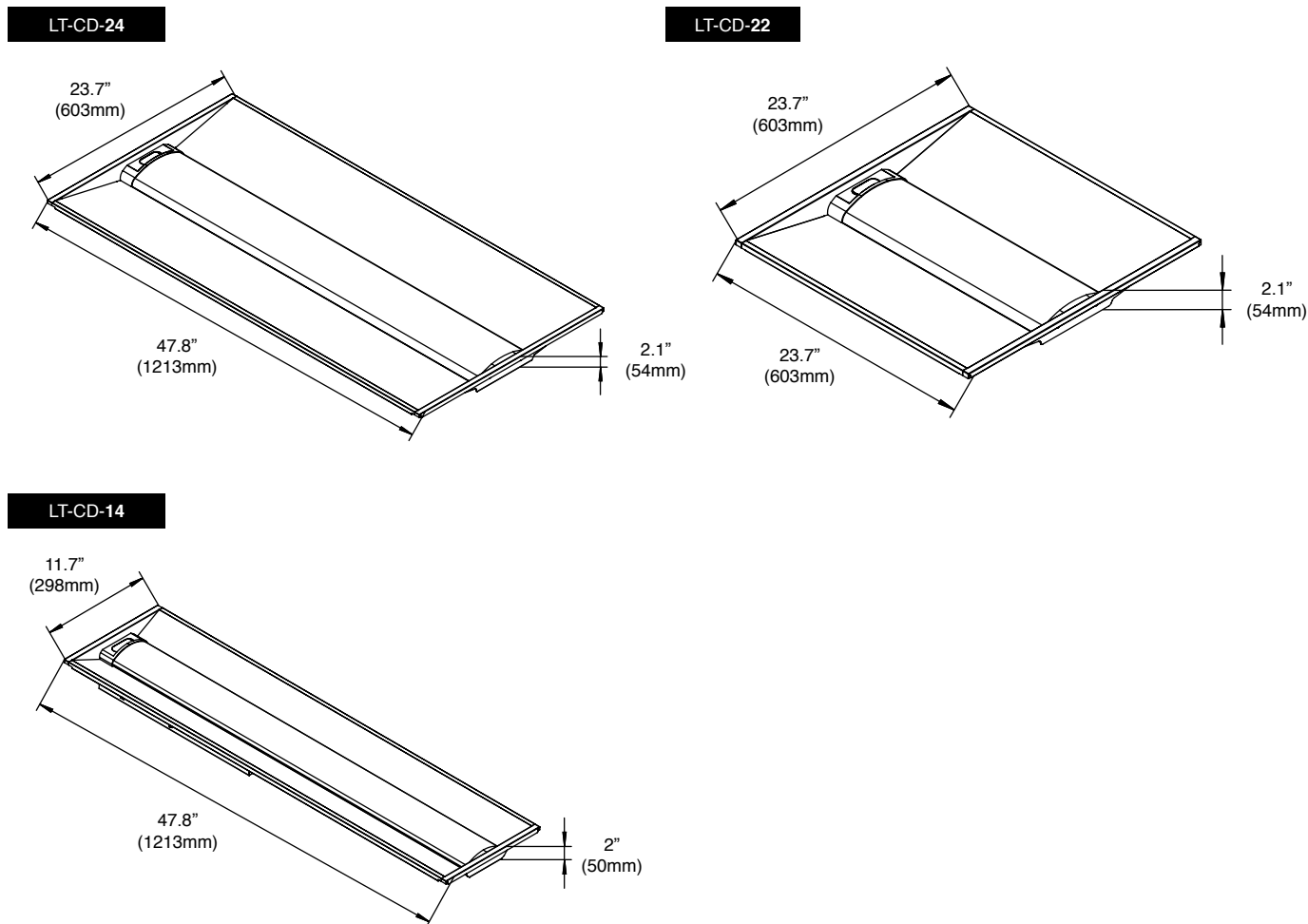


¹ IMPORTANT: THE BATTERY MUST BE RECHARGED EVERY THREE (3) MONTHS. IF NOT RECHARGED ACCORDINGLY, BATTERY MAY FAIL AND VOID WARRANTY

Performance Data

Form Factor	Catalog No.	Rated Wattage (W)	3500K		4000K		5000K	
			Delivered Lumens (lm)	Efficacy (lm/W)	Delivered Lumens (lm)	Efficacy (lm/W)	Delivered Lumens (lm)	Efficacy (lm/W)
1' x 4'	LT-CD-14-UXL-30/8CT G6 (SR/RC)	20	2840	142	3080	154	2880	144
		25	3450	138	3750	150	3500	140
		30	4020	134	4380	146	4080	136
2' x 2'	LT-CD-22-UXL-30/8CT G6 (SR/RC)	20	2820	141	2980	149	2840	142
		25	3425	137	3625	145	3450	138
		30	4020	134	4260	142	4050	135
2' x 4'	LT-CD-24-UXL-35/8CT G6 (SR/RC)	25	3500	140	3750	150	3600	144
		30	4080	136	4380	146	4200	140
		35	4655	133	5005	143	4795	137

Product Dimensions



Specifications and Dimensions subject to change without notice.

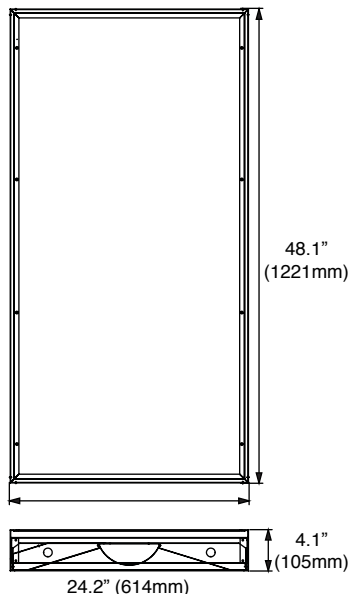
Accessory Options

Surface Mount Kits



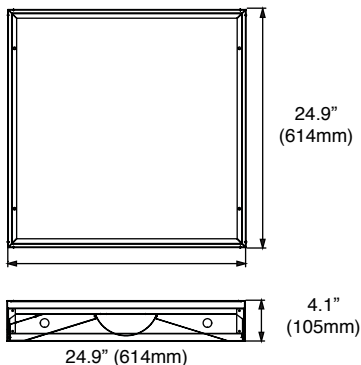
SMK-24 ECO

Surface Mount Kit for 2'x4' troffer or panel



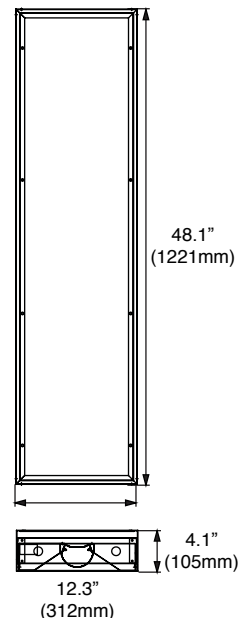
SMK-22 ECO

Surface Mount Kit for 2'x2' troffer or panel



SMK-14 ECO

Surface Mount Kit for 1'x4' troffer or panel

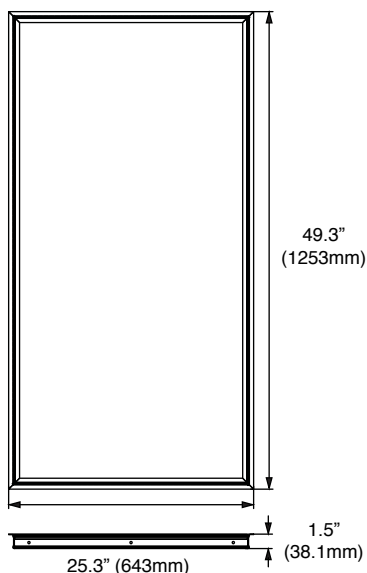


Flange Kits



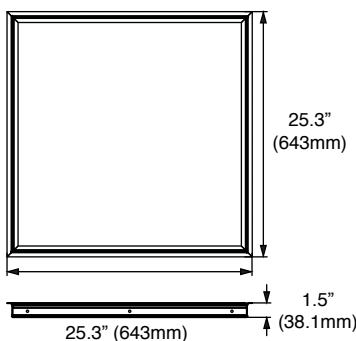
FK-LT-24

Flange Kit for 2'x4' troffer or panel



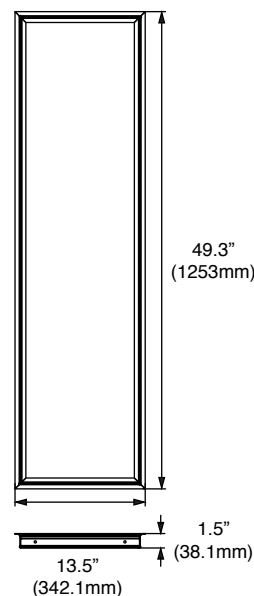
FK-LT-22

Flange Kit for 2'x2' troffer or panel



FK-LT-14

Flange Kit for 1'x4' troffer or panel





AleoBlue Wireless Bluetooth Controls

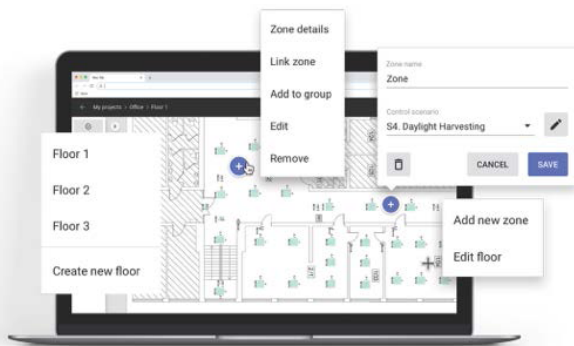


The AleoBlue is a complete solution for managing connected lighting systems using a Bluetooth Mesh lighting network. This enables seamless implementation of simple to complex lighting control scenarios without specialized training or lighting control engineering expertise.

DLC NLC Qualified.

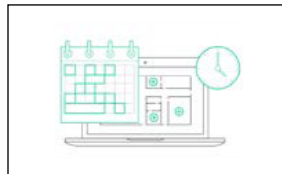
Features and Benefits

- Lighting Zones / Grouping
- Manual control of individual lights
- On Power up Behavior
- Zone Linking
- Vacancy Sensing
- Per fixture Daylight Control
- Per zone Daylight Control



- Optimized Energy Consumption
- Less Hassle with On-Site Adjustments
- More Savings
- Increased Safety
- More Flexibility

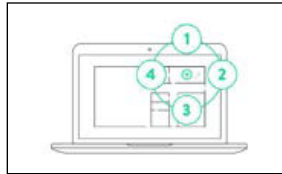
Scheduling



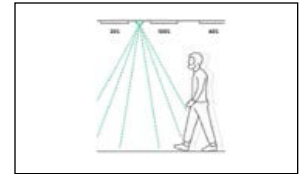
High and Low End Trim



Scenes



Occupancy Sensing



- Intuitive and user-friendly web and iOS apps
- No specialized training or lighting control expertise required
- Optimized for commercial spaces of any size
- No additional wiring or central control box
- Customizable lighting control parameters
- Future proof with Software Updates
- Multiple Zone Configurable
- Built-In Scenarios + Customization

Bluetooth Mesh Technology Advantages



The fastest low-power communication



Scalability to thousands of devices



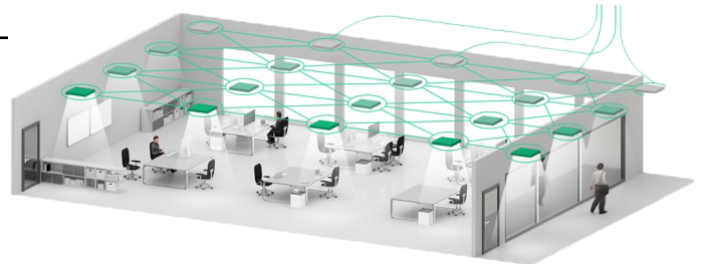
The most advanced encryption standards as well as the cutting-edge device authentication

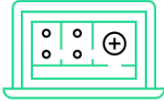


No single point of failure (no central device)



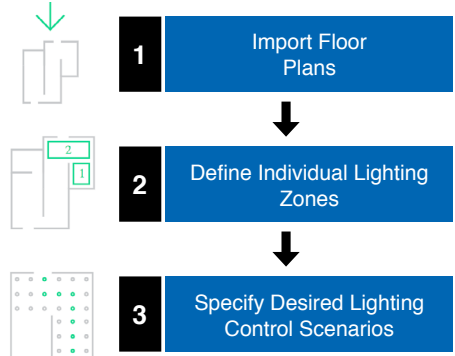
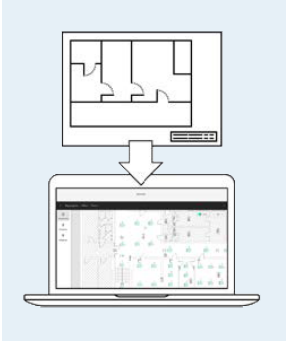
Compatibility with a widely available devices (smart phones & tablets – both with Bluetooth 4.0 and Bluetooth 5)





Planning

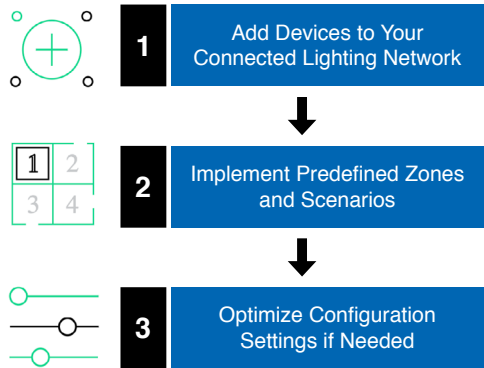
Remote preparation of a retrofit project with the use of our web app. Uploading floor plans, defining individual lighting zones and choosing lighting control scenarios.



Implementation

Adding lighting devices to the Bluetooth mesh network on-site with the use of an iOS app.

Customization and calibration of lighting control parameters during and after the commissioning process. Defining scenes for specific working activities.



Provisioning / Configurations

The Bluetooth mesh Node is in the Unprovisioned Mode until it is provisioned by a "Provisioner", which typically is a smart phone with a Bluetooth mesh compatible app.

Ordering Information



Wireless Bluetooth Occupancy Sensor

Model: SPIR-OSDL/BT-PP3-DC-310



AleoBlue, Kinetic Powered Single-Rocker Switch

Model: WM-KN-DMSR/BT-200

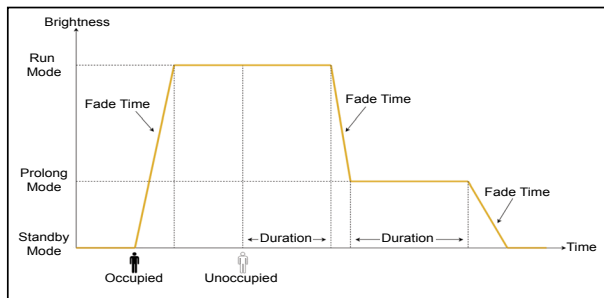
Lighting Control Scenarios

Multiple lighting control scenarios are available once the Bluetooth mesh Node is provisioned. At each scenario, duration, fade time and target brightness can be configured at any time with the iOS app.

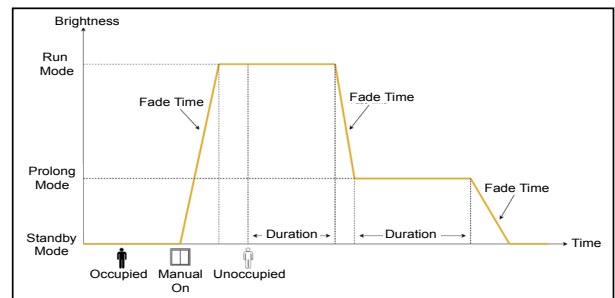


Mode / Scenario	Wireless Switch	Occupancy Sensor	Ambient Light Sensor
Unprovisioned Mode	-	-	-
Switch	On / Off / Scenes	-	-
Occupancy	On / Off / Scenes	Auto On / Off	-
Vacancy	On / Off / Scenes	Auto Off	-
Occupancy with Daylight Harvesting	On / Off / Scenes	Auto On / Off	Enabled
Vacancy with Daylight Harvesting	On / Off / Scenes	Auto Off	Enabled

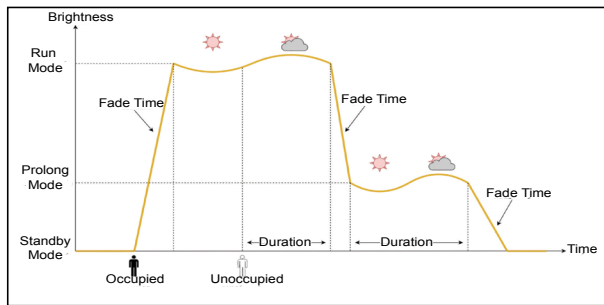
Occupancy Scenario



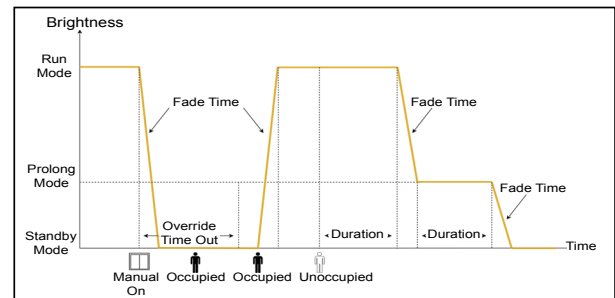
Vacancy Scenario



Occupancy Scenario - with Daylight Harvesting



Occupancy Scenario with Manual Override



Occupancy Detection Pattern

H	X	Y
7.9' (2.4m)	16.4' (5.0m)	16.4' (5.0m)
8.9' (2.7m)	18.4' (5.6m)	18.4' (5.6m)
9.8' (3.0m)	20.3' (6.2m)	20.3' (6.2m)

Orientation Indicators

