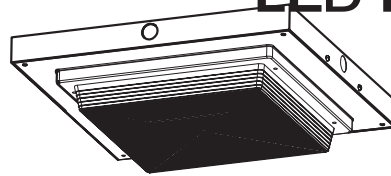


LCP UX™ (SR/RC) Series

ECO LED Surface Canopy

Includes: LCP-20UX/CT (SR/RC), LCP-55UX/CT (SR/RC)



INSTALLATION INSTRUCTIONS

READ AND FOLLOW ALL SAFETY INSTRUCTIONS

WARNING

FAILURE TO FOLLOW THESE INSTRUCTIONS AND WARNINGS MAY RESULT IN SERIOUS INJURY OR DAMAGE TO PROPERTY

For your safety, thoroughly read these instructions and warnings in its entirety prior to installing or servicing this product. These instructions do not attempt to cover all installation and maintenance circumstances. If you do not understand these instructions or if additional information is needed, please contact Aleo Lighting customer service.

WARNING

RISK OF FIRE OR ELECTRIC SHOCK

This product must be installed and serviced by a professional electrician in accordance with applicable federal, state, and local laws, regulations, and electrical code. If not qualified, do not attempt installation of this product. Contact a qualified electrician.

WARNING

RISK OF FIRE, ELECTRIC SHOCK, or PERSONAL INJURY

To avoid risk of electrical shock, turn off power before installing or servicing.

Verify that supply voltage is correct by comparing with the input voltage on the luminaire label

Make all electrical and ground connections in accordance with NEC and any applicable code requirements

WARNING

RISK OF PERSONAL INJURY

To prevent wiring damage or abrasion, do not expose wiring to edges of sheet metal or other sharp objects
Do not make or alter any open holes in any of the enclosures with wiring or electrical components during installation

SAVE THESE INSTRUCTIONS FOR FUTURE REFERENCE

Suitable for Damp Location

WARNING

This luminaire is made for permanent installation in ordinary (non-hazardous) locations in accordance with NEC code and all applicable local and federal codes. Do not use in applications with limited ventilation or high ambient temperature enclosures.

TURN OFF POWER BEFORE INSTALLING

Electrical Connection

1. Connect BLACK (line) driver lead to voltage supply Line position (HOT).
2. Connect driver WHITE lead to the NEUTRAL supply position.
3. Connect the GREEN ground lead to the supply ground lead.

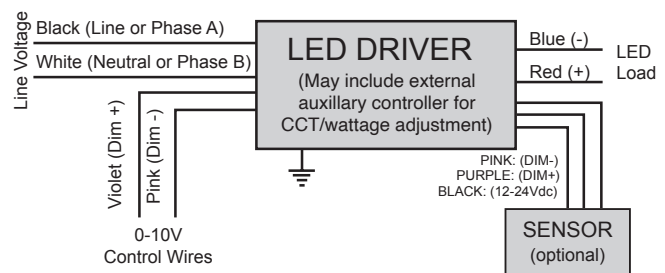
If using 0-10V dimming:

4. Connect VIOLET lead to supply POSITIVE dimming lead.
5. Connect PINK lead to the supply NEGATIVE dimming lead.

If NOT using 0-10V dimming:

6. Ensure VIOLET and PINK 0-10V dimming leads are properly capped.

Wiring Diagram



LCP UX™ (SR/RC) Series

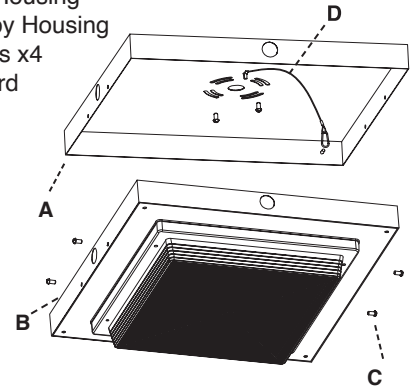
ECO LED Surface Canopy

TO INSTALL:

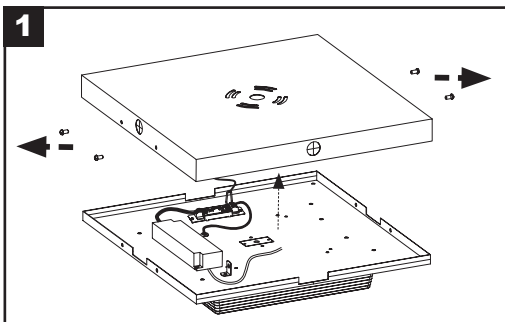
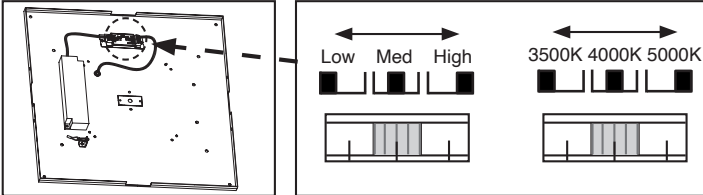
Install fixture in well-ventilated environment, keep away from corrosive/explosive materials, flammable gas or electric dust. Make sure structure is adequate to support the weight of the fixture.

User should prepare necessary accessories and spare parts (not provided) including junction box, fasteners, junction box gasket, anchors, silicone caulk, etc.

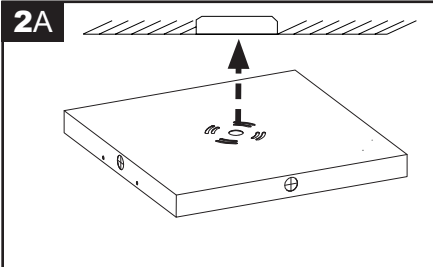
- A: Back Housing
- B: Canopy Housing
- C: Screws x4
- D: Lanyard



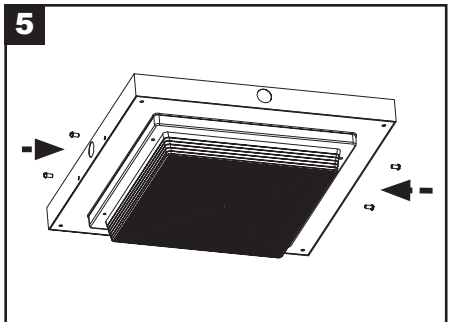
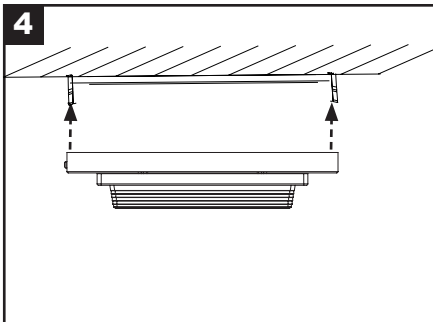
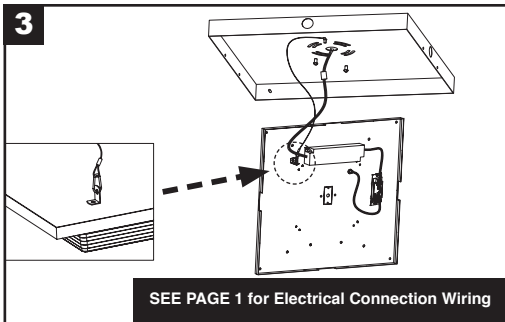
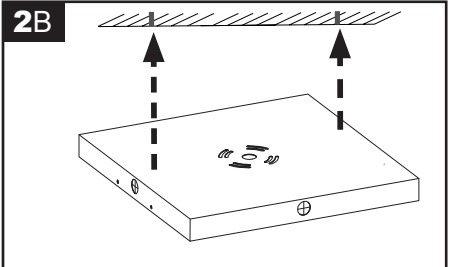
Field-Adjustable Wattage & CCT



Junction Box Mounting



Surface Mount

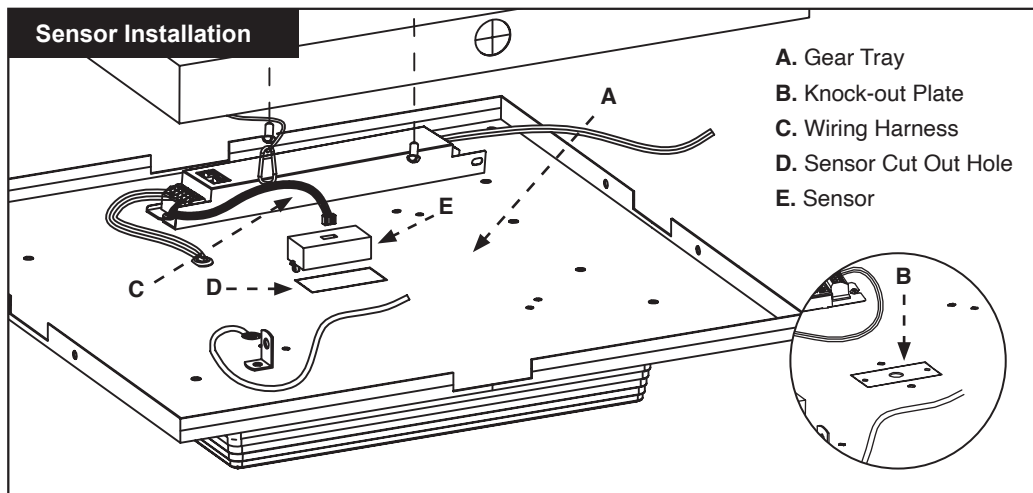


1. Remove Mounting Plate (A) from Canopy back housing.
 2. 2A. **Junction Box Mounting:** Attach the Back Housing(A) to the junction box (supplied by others) using screws (supplied by others).
2B. **Surface Mount:** Fasten screws and anchors if needed (supplied by others) to the surface, then attach the Back Housing (A) to the screws
- INSTALLER IS RESPONSIBLE FOR ENSURING PROPER FIXTURE ATTACHMENT, INCLUDING SEALING TO THE JUNCTION BOX OR SURFACE
3. Hook the Canopy Housing (B) onto the Back Housing (A) via Lanyard (D), and hang housing while making electrical connections. Pull input lead wires through mounting plate hole
NOTE: pay special attention to NOT to damage insulation of wires.
Wire AC main leads to fixture input leads. Make all electrical connections to the fixture.
SEE PAGE 1 for Electrical Connection and wiring diagram instructions.
 4. Push Canopy Housing (B) upwards to close the fixture. Ensure no wires are being pinched by the fixture's metal parts.
 5. Ensure Housing sits flush and is aligned with Back Housing (A). Tighten the (4) Screws (C) located at the side of the Canopy Housing (B) until fixture is securely fastened.

Contents to change without notice. Visit www.aleolighting.com for warranty and specification information.

LCP UX™ (SR/RC) Series ECO LED Surface Canopy

TO INSTALL:



1. Remove gear tray from back housing.
2. Use flat head screwdriver to remove knock-out plate and sticker from sensor cut out (make sure knock-out plate does not fall through into the lens compartment).
3. Plug sensor into wiring harness from LED driver.
4. Snap sensor into sensor cut out hole from the back of the gear tray.